

OBP 1+1 Optical Bypass Protection card

OBPA is an optical line protection service board which provides low-cost redundant solution for broadband transmission networks. The main feature of this card is it is easy to install and backup solution. It helps operators build resiliency into their networks to avoid downtime and quickly recover from any outages that occur due to a fault in the transmission line. features of transparent and independent transmission signals, high safety and reliability as well as fast fault recovery, which can help users to build a non-blocking, flexible and reliable, as well as anti-disaster optical communication network. It is designed with separate switch control and management control. It gives priority to ensuring the link switching, and the switching latency is less than 15ms.

OBPA is an optical line protection service board which provides low-cost redundant solution for broadband transmission networks. The main feature of this card is it is easy to install and backup solution. It helps operators build resiliency into their networks to avoid downtime and quickly recover from any outages that occur due to a fault in the transmission line. features of transparent and independent transmission signals, high safety and reliability as well as fast fault recovery, which can help users to build a non-blocking, flexible and reliable, as well as anti-disaster optical communication network. It is designed with separate switch control and management control. It gives priority to ensuring the link switching, and the switching latency is less than 15ms. It provides AC/DC dual power supply and adopts industrial grade design, which ensures stable operation under harsh environments. It is designed with powerful graphical network management system, which supports three management modes—local Console, EMS and button setting. Moreover, remote upgrade of services can be realized, which is easy for future unified management and maintenance.

Product Feature

Provides bypass protection mode

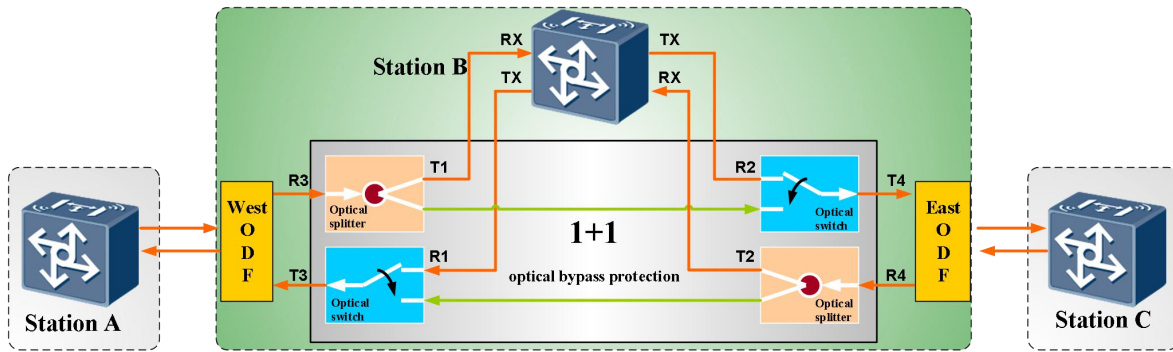
Lock when there is no light

Supports a variety of management modes: Console, EMS system and button setting

Supports TFTP remote upgrade

The switching module adopts simple and stable circuit design, which is with high reliability. Moreover, the management modules are independent from each other and do not affect each other

AC/DC dual power supply and wide voltage range adaptation which is safer and more stable



Product Specification

Product Model	OBPA(1+1)
Working wavelength range	1260nm~1650nm
Switching time	< 20ms
Introduction loss	Customizable splitting ratio
Monitoring of optical power range	-50 dBm~+ 25 dBm
Network management function	Support functions such as real-time monitoring of OBP optical power, active switch scheduling
Occupied slot number	Occupy 1 slot, suitable for the platform of the whole OTNS 8600 series
Optical interface	All interfaces are LC type
Typical power consumption	5 w
MTBF	> 100000 hours