

## OTDR-100G for OTNS8600 platform

### 100G Muxponder/Transponder/Regenerator 3-in-1

#### Key Features

- Muxponder Mode for Aggregation Services  
10x8/10G into 100G OTU4 DWDM Line side
- 100G Transponder and Regenerator Mode Optional
- Client side supports 10G LAN/WAN, 8G/10GFC, STM64/OC192, OTU2, OTU2e, 100GbE
- Standards based ITU-T G709 RSFEC, I.4, I.7
- Supports full C-band DWDM and Coherent CFP for line side
- Performance Monitoring
- Remote management with 2x OSCs and 1x1000Base-T port
- Automatic Laser Shutdown(ALS) for all port



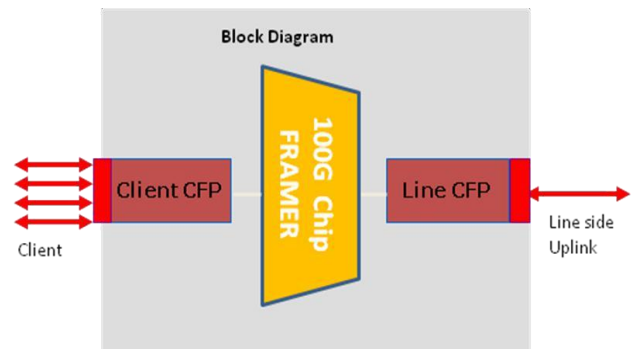
Figure 2: OTNS8600 Chassis



Figure 3: OTDR-100G Card

#### Applications

OTDR-100G pluggable card in OTNS8600 chassis is Sintai 100G Multi-protocol Muxponder/Transponder/Regenerator for high capacity transport solutions, it allows migration exist various and future services without replacement.



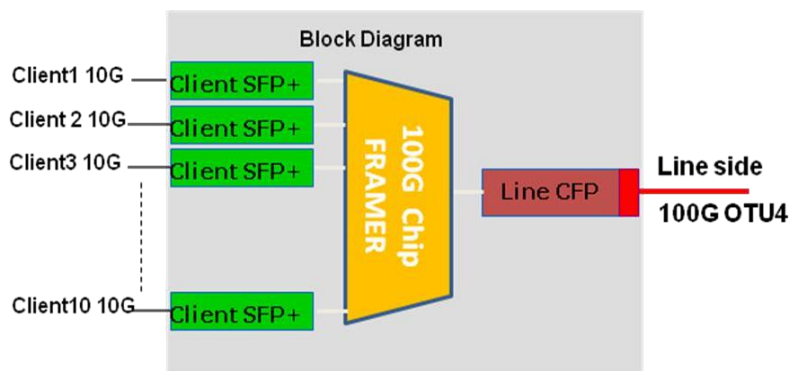


Figure 1: 100G Muxponder

### Application Scenarios:

- | Data Center interconnection (DCI)
- | Metro Network Application
- | High Capacity and Long Haul Solution
- | Enterprise Line
- | DWDM Upgrade

## Technical Specifications

<b>Operation Mode</b>	<b>OTDR-100G</b>
Muxponder Mode	10x 8/10G client and 1x 100G CFP line side
Transponder Mode	1x100G CFP client and 1x 100G CFP line side
Regenerator	2x 100G CFP Line side
<b>10G Ports</b>	
Number of port	10
Interface	10xSFP+
Transceiver	Wavelength, Protocol, Distance depend on SFP+
Protocol	Ethernet 10GbE-LAN/WAN SDH/SONET STM64/OC192 Storage 8G/10G FC G.709 OTN OTU2,OTU2e
<b>100G Ports</b>	
Number of port	2
Interface	CFP
Transceiver	DWDM CFP or Coherent CFP,Tunable wavelength
Protocol	100GbE 100G OTN OTU4
<b>FEC Feature(Optional)</b>	
FEC function	10G FEC: RSFEC (G.709 FEC) , I.4, I.7
	100G FEC: RSFEC (G.709 FEC)
	100G Coherent CFP: SD-FEC
FEC gain(dB)	10.8 Max with Coherent CFP
<b>Performance Monitoring</b>	
Optical module	TX/RX power level, wavelength, temperature
Ports	OTU Section OTU Far Section ODU Path ODU Far Path OTN FEC Correct error OTN FEC uncorrected error
<b>Diagnostic test</b>	
Loopback	Facility loopback: local loopback, remote loopback
PRBS test	Supports

<b>Protection</b>	
Line Protection	Work with OTNS8600 OLP addtional
<b>Management</b>	
OSC out of band	2xOSCs, 1000BaseFx SFP
Ethernet port	1x10/100/1000Base-T,RJ45
Local craft	1xRS232, USB
Management protocol	SNMPv2, CLI(Telnet/SSH), web-based GUI
<b>Environmental</b>	
Operating Temperature	-5 to 50°C
Operating Humidity	5 to 95% (non-condensing)
Storage Temperature	-20 to + 85°C
<b>Mechanics</b>	
Card type	Pluggable
Platform	OTNS8600, 1-slot 2RU 19" chassis with pluggable fan card
Dimensions (H x W x D mm)	88 x 437 x 230
<b>Power Supply</b>	
Card type	pluggable power supply
Power feed	Dual Redundant -48VDC
Power Consumption	240W MAX