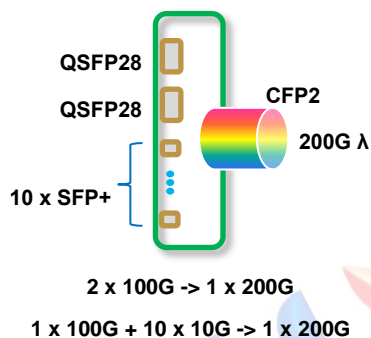


200G Muxponder (P514)

Product diagram



Functional structure



Application Scenario

- Suitable for transmission over metropolitan and long-haul networks up to 1000 km long
- Suitable for high-capacity DCI network transmission for enterprises, campuses, cloud computing, etc.
- Suitable for 200G links in existing OTN/DWDM infrastructures

Product specification

200G Muxponder (P514)	
Slot number	1/2 slot
Line side	Supports 1 CFP2-DCO module hot-swap
OTN function	Frame format and overhead handling using ITU-T G709 recommendations ODUk (k=2, 2e, 4, C2) layer: support for PM and other functions; OTUk (k=C2) layer: support for SM functions
Wavelength adjustable	Range covers 191.35 THz ~ 196.1THz Support 50 GHz, 75 GHz, 100 GHz adjustable
Time delay measurement	Support
Client side	Support 2 QSFP28 modules hot-pluggable, and 10 SFP+ modules hot-pluggable
Support services	10GE、100GE、100GE FlexE(透传模式)、STM-64、10GE WAN、OTU2、OTU4
LLDP	Support
Performance monitoring and alarm monitoring	<ul style="list-style-type: none"> ● Support OTN performance monitoring and alarm monitoring functions ● Support optical module temperature, current, optical power monitoring, etc. ● Support Ethernet RMON monitoring ● Support Telemetry

